



Pricelist 2021

CETA

Elektromechanik GmbH
Tulwitzviertel 60 | A- 8 163 Fladnitz /T.
Tel.: +43 3179 20066 | Fax: 03179 20066-22
E-Mail: office@ceta.at | Web: www.ceta.at

Rail systems IG & MGD

Article No.	Picture	Description	Euro excl. VAT
IG400		<p style="text-align: center;">IntelliGate 400</p> Drive system fitting to MGD running rails Constructional length: 1200 mm Functional length / restraint length: 350 mm	1.400,00
IG500		<p style="text-align: center;">IntelliGate 500</p> Drive system fitting to MGD running rails Constructional length: 1500 mm Functional length / restraint length: 500 mm	1.470,00
IG600		<p style="text-align: center;">IntelliGate 600</p> Drive system fitting to MGD running rails Constructional length: 1700mm Functional length / restraint length: 600 mm	1.470,00
IG750		<p style="text-align: center;">IntelliGate 750</p> Drive system fitting to MGD running rails Constructional length: 2000 mm Functional length / restraint length: 750 mm	1.620,00
IG1000		<p style="text-align: center;">IntelliGate 1000</p> Drive system fitting to MGD running rails Constructional length: 2500 mm Functional length / restraint length: 1000 mm	1.740,00
IG-MK		<p style="text-align: center;">Installation panel for drive mechanism</p> when ordering please specify the mechanism type nettoprice	95,00

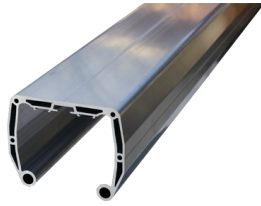


Reinforced version

Article No.	Picture	Description	Euro excl. VAT
IG500-16		<p style="text-align: center;">IntelliGate 500-16</p> Drive system fitting to MGD running rails Constructional length: 1500 mm Functional length / restraint length: 500 mm support arm 16 rolls	1.550,00
IG600-16		<p style="text-align: center;">IntelliGate 600-16</p> Drive system fitting to MGD running rails Constructional length: 1700mm Functional length / restraint length: 600 mm support arm 16 rolls	1.680,00
IG750-16		<p style="text-align: center;">IntelliGate 750-16</p> Drive system fitting to MGD running rails Constructional length: 2000 mm Functional length / restraint length: 750 mm support arm 16 rolls	1.848,00
IG1000-16		<p style="text-align: center;">IntelliGate 1000-16</p> Drive system fitting to MGD running rails Constructional length: 2500 mm Functional length / restraint length: 1000 mm support arm 16 rolls	1.974,00

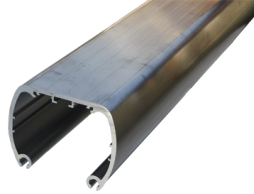
Special designs

IG350, IG650... Available on request

MGD1-LS

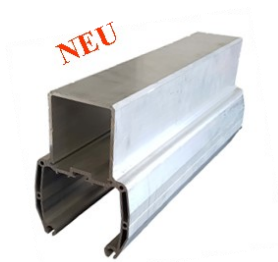
Running Rail Megadoor
 doubleside
 cut to the length ordered
 the next half meter is charged
 Max. length: 13 m, ca.: 5 kg / m
 Material: Aluminium, price / m
 Size: 100 x 125 mm

77,00

MGD2-LS

Running Rail Megadoor
 singleside
 cut to the length ordered
 the next half meter is charged
 Max. length: 13 m, ca.: 5 kg / m
 Material: Aluminium, price / m
 Size: 100 x 125 mm

77,00

MGD3-LS

Running Rail Megadoor
 doubleside
 cut to the length ordered
 the next half meter is charged
 Ca.: 7 kg / m
 Material: Aluminium, price / m
 Size: 180 x 125 mm








94,00

LS60

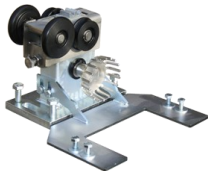
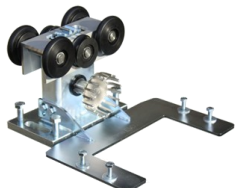
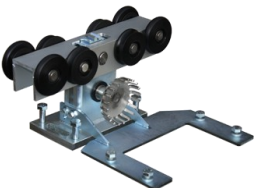
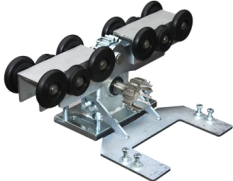
Running Rail LS60
 Material: Aluminium, price / m

39,00

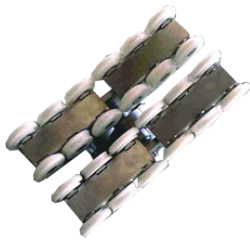
Drive mechanism to running rail MGD

Article No.	Picture	Description	€uro excl. VAT
MGD.RB4SL		Drive mechanism– Light galvanized steel 4 plastic rollers with ball bearings Height: 80 mm or 100 mm	168,00
MGD.RB4		Drive mechanism standard galvanized steel 4 plastic rollers with ball bearings Height: 80 mm or 100 mm	212,00
MGD.RB6		Drive mechanism medium base plate – galvanized steel 6 plastic rollers with ball bearings Height: 100 mm	275,00
MGD.RB8		Drive mechanism heavy load „RB8“ galvanized steel 8 plastic rollers with ball bearings Height: 100 mm	373,00
MGD.RB12		Drive mechanism „RB12“ galvanized steel 12 plastic rollers with ball bearings Height: 100 mm	520,00
MGD.RB16		Drive mechanism „16“ spezial galvanized steel base plate: 330 x 150 mm 16 plastic rollers with ball bearings	612,00
MGD.RB24		Drive mechanism „24“ quality: stainless steel 16 plastic rollers with ball bearings	920,00



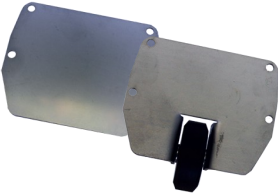


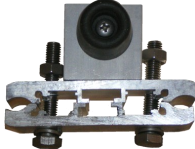

Gear drive mechanism to running rail MGD

Article No.	Picture	Description	Euro excl. VAT
MGD.RB4A		Gear drive mechanism RB4 4 plastic rolls with ball bearings Matching to insertable racks without MK (tech plate)	262,00
MGD.RB6A		Gear drive mechanism RB6 6 plastic rolls with ball bearings Matching to insertable racks without MK (tech plate)	275,00
MGD.RB8A		Gear drive mechanism RB8 4 plastic rolls with ball bearings Matching to insertable racks without MK (tech plate)	373,00
MGD.RB12A		Gear drive mechanism RB12 4 plastic rolls with ball bearings Matching to insertable racks without MK (tech plate)	520,00
MGD.GMK		Installation panel for drive mechanism when ordering please specify the mechanism type nettoprice	118,00

Spezial drive mechanism to running rail MGD

MGD.RB24.2		Drive mechanism „24“ with double-lane structure of rollers for gates with twin rails quality: stainless steel 24 plastic rollers with ball bearings	970,00
MGD.RB48.2		Drive mechanism „48“ with double-lane structure of rollers for gates with twin rails quality: stainless steel 48 plastic rollers with ball bearings	1.780,00
MGD.LW6		Drive mechanism for hinge systems 6 plastic rollers with ball bearings	190,00


Accessories to running rail MGD

Article No.	Picture	Description	€uro excl. VAT
MGD1-EDR MGD2-EDR		End cup with roll Material: stainless steel	29,00
MGD1-ED MGD2-ED		End cup Standard Material: stainless steel	15,00
MGD1- EDR + ED SET		End cup SET End cup with roll + standard	45,00
MGD1-VS		Connector set for MGD1 consisting of 4 stainless steel bolts 5 x 40 mm 2 stainless steel bolts 12 x 60 mm	11,00
MGD2-VS		Connector set for MGD2 consisting of 2 stainless steel bolts 5 x 40 mm 2 stainless steel bolts 12 x 60 mm	11,00
MGD-ST		Rail stopper adjustable	20,00
MGD-FX		Fixing plate set For MGD1 for the fixing of the insertable rack on both sides	14,00

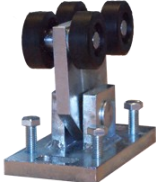

Accessories to running rail MGD

Article No.	Picture	Description	Euro excl. VAT
CRE		Insertable plastic rack Length: ca. 0,5 m Price / piece	6,00
CRE-VZ		Insertable galvanized steel rack Length: ca. 0,5 m Price/piece	26,00
CRE-EP		Rack insert profile Length: 6 m Price/piece nettoprice	36,00
AL4703		Sliding gate rail Fitting to the running rails „MGD“ & LS60 without angle bracket	21,00
ALHW		Angle bracket Aluminium	17,00
AL4046		Angle bracket	16,00
NALS		Sliding gate rail Fitting to the running rails „MGD“ & LS60 without angle bracket Constructional length:150mm	46,00
NELGR		Intake bracket of stainless steel With polyamid rolls for gate leaves of a width from 40 – 60 mm Rim width adjustable Delivery without angle bracket	49,00

Running rails systems LS60

Article No.	Picture	Description	€uro excl. VAT
LS60		Rail profile „LS60“ Size: 60 x 60 mm Special length upon request Material: Aluminium, price/m	39,00

Drive mechanism to running rail LS60

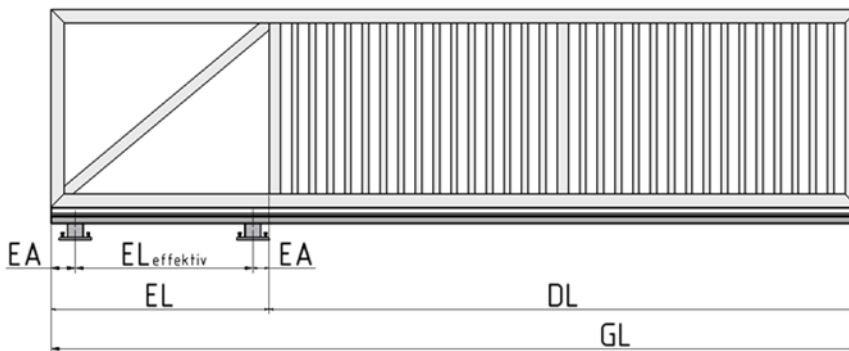
LS6-RB4		Drive mechanism „4“ Base plate – galvanized steel 4 plastic rollers with ball bearings	139,00
LS6-LW4		Drive machsism for hinge systems Quality: stainless steel 4 plastic rollers with ball bearings	59,00

Accessories to running rail LS60

Article No.	Picture	Description	Euro excl. VAT
NELGR-100		<p>Intake bracket of stainless steel With polyamid rolls for gate leaves of a width 100 mm Rim width adjustable Delivery without angle bracket</p>	52,00
NELGR-140		<p>Intake bracket of stainless steel With polyamid rolls for gate leaves of a width 140 mm Rim width adjustable Delivery without angle bracket</p>	59,00
LS6-EDR		<p>End cup with roller Incl. Stainless steel screws</p>	15,00
LS6-ED		<p>End cup Standard Incl. Stainless steel screws</p>	8,00
LS6-EP		<p>Rack insert profile fitting to the upper groove Price/m</p>	9,00
LS6-ST		<p>Rail stopper adjustable with rubber buffer and screws</p>	10,00
LS6-VS2		<p>Connecting plate set for LS6 2 pcs stainless steel plates adjustable</p>	6,00
LS6-VS4		<p>Connecting kit for LS6 4 pcs stainless steel screws 4 mm for bonding into the hollow chambers avail- able</p>	5,00

Article No.	Picture	Description	€uro excl. VAT
OFP		Upper Gate guide profile Length:6000mm Price/piece	86,00
ACN-OFP		Leadership role for OFP	19,00
OFP-ED		End cup for Tor Guide profile inkl. screws	19,00
OFK60		Bracket for the upper gate guide For sliding gate inkl. rollers	40,50
ACN25		leadership role D=25 galvanized fixing screw M14	10,00
ACN30		leadership role D=30 galvanized fixing screw M14	11,00
ACN40		leadership role D=40 galvanized fixing screw M20	16,00

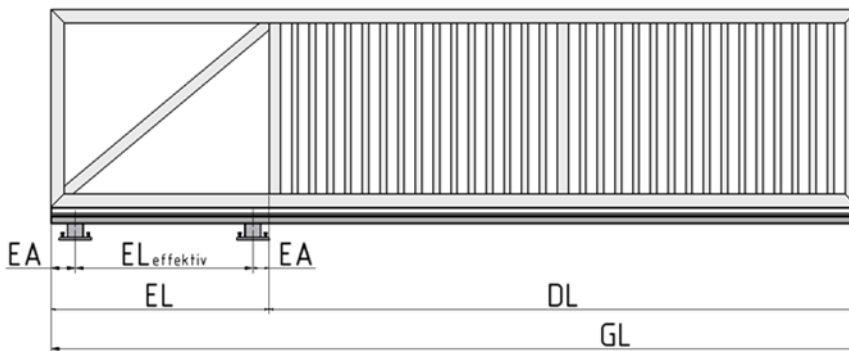
Data Sheet RB4



- GL:** Total length
- DL:** Clear width
- EL:** Length of restraint
- EA:** Center distance drive mechanism A to the end of the gate
- EL effective:** Length of restraint
- Measures admitted:** Max. measures of the gate incl. Running rail
- Measures in meters admitted:** Max. measures in meters incl. Running rail (kkg/m)

GL	DL	EL	EA	EB	EL effective	Measures admitted:	Measures in meters admitted:
[mm]	[mm]	[mm]	[mm]	[mm]	[mm]	[kg]	[kg/m]
4000	3000	1000	150	150	700	139	35
4200	3000	1200	150	150	900	170	40
4400	3000	1400	150	150	1100	198	45
5400	4000	1400	150	150	1100	159	29
5600	4000	1600	150	150	1300	181	32
5800	4000	1800	150	150	1500	201	35
6800	5000	1800	150	150	1500	170	25
7000	5000	2000	150	150	1700	187	27
7200	5000	2200	150	150	1900	203	28
8200	6000	2200	150	150	1900	178	22
8400	6000	2400	150	150	2100	192	23
8600	6000	2600	150	150	2300	205	24

Data Sheet RB6



GL: Total length

DL: Clear width

EL: Length of restraint

EA: Center distance drive mechanism A to the end of the gate

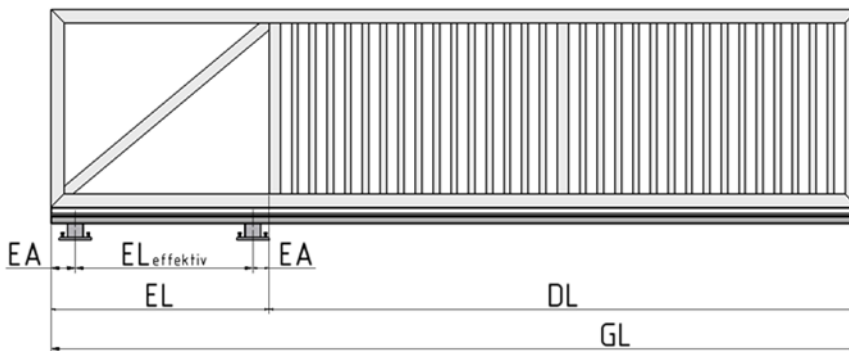
EL effective: Length of restraint

Measures admitted: Max. measures of the gate incl. Running rail

Measures in meters admitted: Max. measures in meters incl. Running rail (kkg/m)

GL	DL	EL	EA	EB	EL effective	Measures	Measures in
[mm]	[mm]	[mm]	[mm]	[mm]	[mm]	[kg]	[kg/m]
3800	3000	800	155	155	490	138	36
4200	3000	1200	155	155	890	287	68
4600	3000	1600	155	155	1290	443	96
5200	4000	1200	155	155	890	200	38
5600	4000	1600	155	155	1290	322	57
6000	4000	2000	155	155	1690	438	73
6600	5000	1600	155	155	1290	241	36
7000	5000	2000	155	155	1690	344	49
7400	5000	2400	155	155	2090	435	59
8000	6000	2000	155	155	1690	270	34
8400	6000	2400	155	155	2090	359	43
8800	6000	2800	155	155	2490	433	49
9400	7000	2400	155	155	2090	291	31
9800	7000	2800	155	155	2490	370	38
10200	7000	3200	155	155	2890	432	42
10800	8000	2800	155	155	2490	308	29
11200	8000	3200	155	155	2890	378	34
11600	8000	3600	155	155	3290	431	37

Data Sheet RB8



GL: Total length

DL: Clear width

EL: Length of restraint

EA: Center distance drive mechanism A to the end of the gate

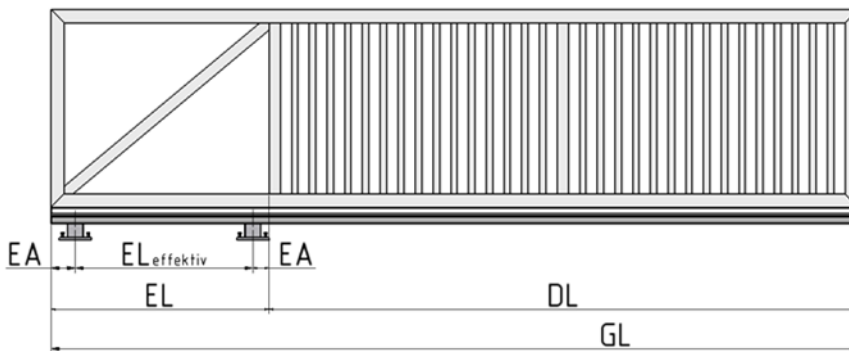
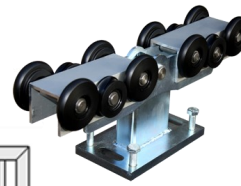
EL effective: Length of restraint

Measures admitted: Max. measures of the gate incl. Running rail

Measures in meters admitted: Max. measures in meters incl. Running rail (kkg/m)

GL	DL	EL	EA	EB	EL effective	Measures admitted:	Measures in meters admitted:
[mm]	[mm]	[mm]	[mm]	[mm]	[mm]	[kg]	[kg/m]
5200	4000	1200	225	225	750	232	45
5600	4000	1600	225	225	1150	328	59
6000	4000	2000	225	225	1550	411	69
6600	5000	1600	225	225	1150	275	42
7000	5000	2000	225	225	1550	349	50
7400	5000	2400	225	225	1950	414	56
8000	6000	2000	225	225	1550	303	38
8400	6000	2400	225	225	1950	362	43
8800	6000	2800	225	225	2350	415	47
9400	7000	2400	225	225	1950	322	34
9800	7000	2800	225	225	2350	371	38
10200	7000	3200	225	225	2750	416	41
10800	8000	2800	225	225	2350	335	31
11200	8000	3200	225	225	2750	378	34
11600	8000	3600	225	225	3150	417	36
12200	9000	3200	225	225	2750	346	28
12600	9000	3600	225	225	3150	383	30
13000	9000	4000	225	225	3550	418	32

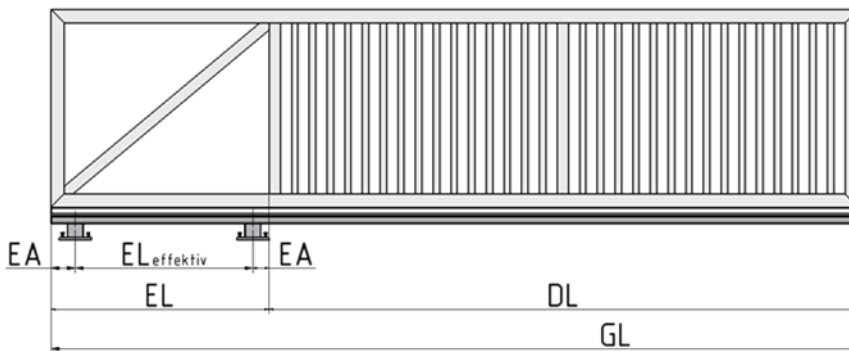
Data Sheet RB12



- GL:** Total length
- DL:** Clear width
- EL:** Length of restraint
- EA:** Center distance drive mechanism A to the end of the gate
- EL effective:** Length of restraint
- Measures admitted:** Max. measures of the gate incl. Running rail
- Measures in meters admitted:** Max. measures in meters incl. Running rail (kkg/m)

GL	DL	EL	EA	EB	EL effective	Measures admitted:	Measures in meters admitted:
[mm]	[mm]	[mm]	[mm]	[mm]	[mm]	[kg]	[kg/m]
7900	6000	1900	290	290	1320	344	44
8400	6000	2400	290	290	1820	517	62
8900	6000	2900	290	290	2320	719	81
9300	7000	2300	290	290	1720	395	43
9800	7000	2800	290	290	2220	550	56
10300	7000	3300	290	290	2720	722	70
10700	8000	2700	290	290	2120	435	41
11200	8000	3200	290	290	2620	575	51
11700	8000	3700	290	290	3120	725	62
12100	9000	3100	290	290	2520	468	39
12600	9000	3600	290	290	3020	595	47
13100	9000	4100	290	290	3520	726	55
13500	10000	3500	290	290	2920	494	37
14000	10000	4000	290	290	3420	612	44
14500	10000	4500	290	290	3920	728	50
14900	11000	3900	290	290	3320	517	35
15400	11000	4400	290	290	3820	625	41
15900	11000	4900	290	290	4320	729	46

Data Sheet RB16



GL: Total length

DL: Clear width

EL: Length of restraint

EA: Center distance drive mechanism A to the end of the gate

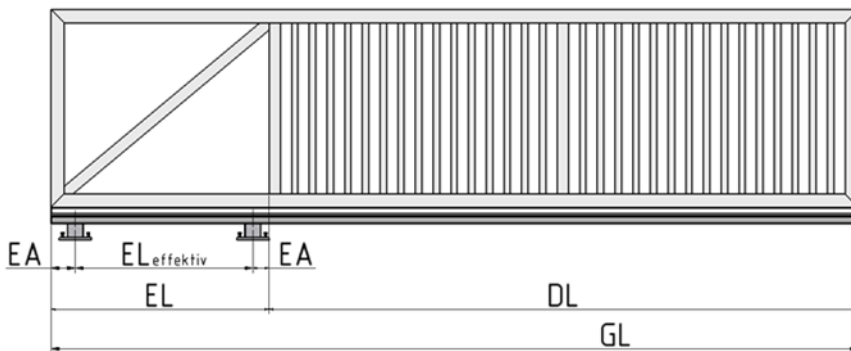
EL effective: Length of restraint

Measures admitted: Max. measures of the gate incl. Running rail

Measures in meters admitted: Max. measures in meters incl. Running rail (kkg/m)

GL	DL	EL	EA	EB	EL effective	Measures admitted:	Measures in meters admitted:
[mm]	[mm]	[mm]	[mm]	[mm]	[mm]	[kg]	[kg/m]
9300	7000	2300	435	435	1430	436	47
9800	7000	2800	435	435	1930	556	57
10300	7000	3300	435	435	2430	663	64
10700	8000	2700	435	435	1830	479	45
11200	8000	3200	435	435	2330	581	52
11700	8000	3700	435	435	2830	673	58
12100	9000	3100	435	435	2230	512	42
12600	9000	3600	435	435	2730	600	48
13100	9000	4100	435	435	3230	681	52
13500	10000	3500	435	435	2630	537	40
14000	10000	4000	435	435	3130	615	44
14500	10000	4500	435	435	3630	687	47
14900	11000	3900	435	435	3030	557	37
15400	11000	4400	435	435	3530	627	41
15900	11000	4900	435	435	4030	692	44
16300	12000	4300	435	435	3430	574	35
16800	12000	4800	435	435	3930	637	38
17300	12000	5300	435	435	4430	696	40

Data Sheet RB24



GL: Total length

DL: Clear width

EL: Length of restraint

EA: Center distance drive mechanism A to the end of the gate

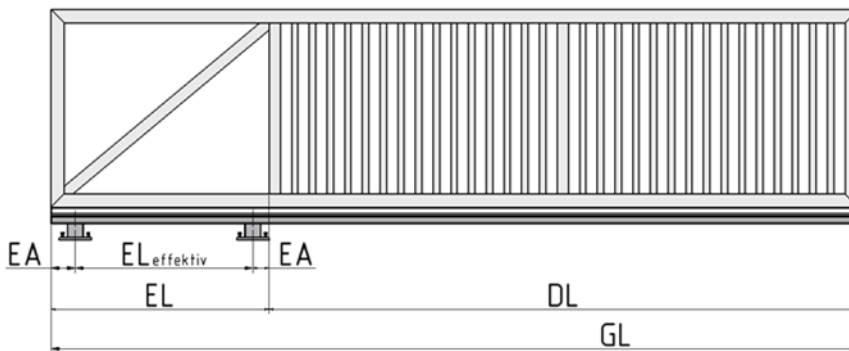
EL effective: Length of restraint

Measures admitted: Max. measures of the gate incl. Running rail

Measures in meters admitted: Max. measures in meters incl. Running rail (kgg/m)

GL	DL	EL	EA	EB	EL effective	Measures admitted:	Measures in meters admitted:
[mm]	[mm]	[mm]	[mm]	[mm]	[mm]	[kg]	[kg/m]
10500	8000	2500	470	470	1560	510	49
11200	8000	3200	470	470	2260	806	72
11900	8000	3900	470	470	2960	1162	98
11900	9000	2900	470	470	1960	583	49
12600	9000	3600	470	470	2660	856	68
13300	9000	4300	470	470	3360	1179	89
13000	10000	3300	470	470	2360	644	48
14000	10000	4000	470	470	3060	898	64
14700	10000	4700	470	470	3760	1193	81
14700	11000	3700	470	470	2760	695	47
15400	11000	4400	470	470	3460	932	61
16100	11000	5100	470	470	4160	1204	75
16100	12000	4100	470	470	3160	740	46
16800	12000	4800	470	470	3860	962	57
17500	12000	5500	470	470	4560	1214	69
17500	13000	4500	470	470	3560	778	44
18200	13000	5200	470	470	4260	987	54
18900	13000	5900	470	470	4960	1222	65

Data Sheet RB24T



GL: Total length

DL: Clear width

EL: Length of restraint

EA: Center distance drive mechanism A to the end of the gate

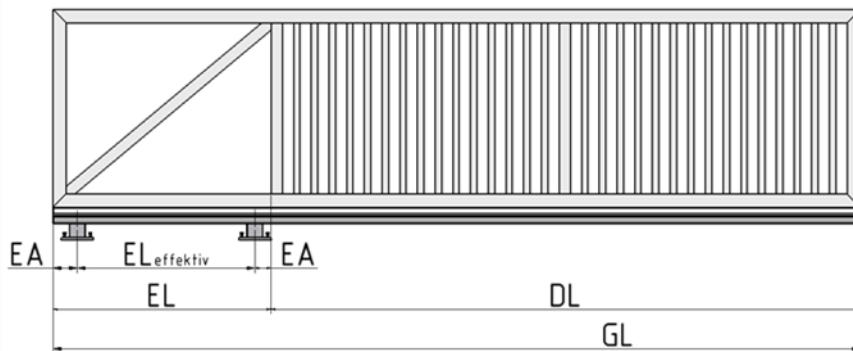
EL effective: Length of restraint

Measures admitted: Max. measures of the gate incl. Running rail

Measures in meters admitted: Max. measures in meters incl. Running rail (kgg/m)

GL	DL	EL	EA	EB	EL effective	Measures admitted:	Measures in meters admitted:
[mm]	[mm]	[mm]	[mm]	[mm]	[mm]	[kg]	[kg/m]
13300	10000	3300	260	260	2780	928	70
14000	10000	4000	260	260	3480	1254	90
14700	10000	4700	260	260	4180	1525	104
14700	11000	3700	260	260	3180	977	66
15400	11000	4400	260	260	3880	1279	83
16100	11000	5100	260	260	4580	1521	94
16100	12000	4100	260	260	3580	1019	63
16800	12000	4800	260	260	4280	1300	77
17500	12000	5500	260	260	4980	1518	87
17500	13000	4500	260	260	3980	1055	60
18200	13000	5200	260	260	4680	1317	72
18900	13000	5900	260	260	5380	1515	80
18900	14000	4900	260	260	4380	1086	57
19600	14000	5600	260	260	5080	1333	68
20300	14000	6300	260	260	5780	1513	75
20300	15000	5300	260	260	4780	1114	55
21000	15000	6000	260	260	5480	1346	64
21700	15000	6700	260	260	6180	1511	70

Data Sheet RB48T



GL: Total length

DL: Clear width

EL: Length of restraint

EA: Center distance drive mechanism A to the end of the gate

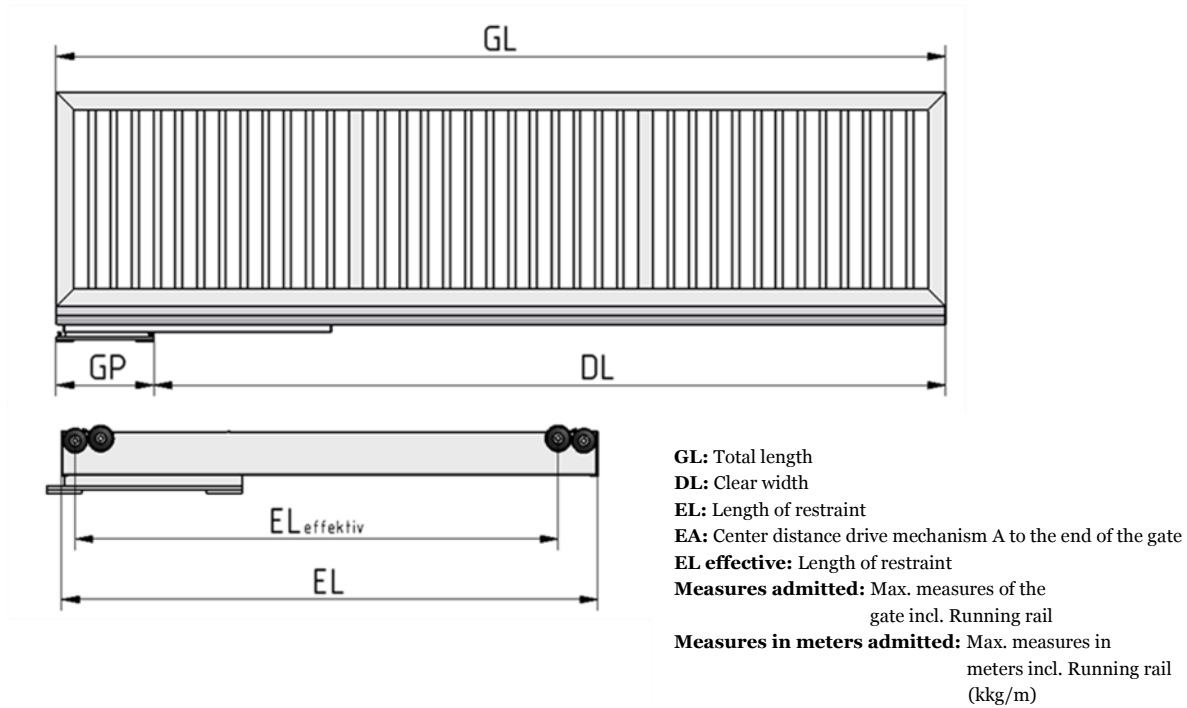
EL effective: Length of restraint

Measures admitted: Max. measures of the gate incl. Running rail

Measures in meters admitted: Max. measures in meters incl. Running rail (kkg/m)

GL	DL	EL	EA	EB	EL effective	Measures admitted:	Measures in meters admitted:
[mm]	[mm]	[mm]	[mm]	[mm]	[mm]	[kg]	[kg/m]
17500	13000	4500	470	470	3560	1557	89
18200	13000	5200	470	470	4260	1974	108
18900	13000	5900	470	470	4960	2444	129
18900	14000	4900	470	470	3960	1624	86
19600	14000	5600	470	470	4660	2018	103
20300	14000	6300	470	470	5360	2452	121
20300	15000	5300	470	470	4360	1684	83
21000	15000	6000	470	470	5060	2056	98
21700	15000	6700	470	470	5760	2458	113
21700	16000	5700	470	470	4760	1737	80
22400	16000	6400	470	470	5460	2090	93
23100	16000	7100	470	470	6160	2463	107
23100	17000	6100	470	470	5160	1784	77
23800	17000	6800	470	470	5860	2121	89
24500	17000	7500	470	470	6560	2468	101
24500	18000	6500	470	470	5560	1827	75
25200	18000	7200	470	470	6260	2148	85
25900	18000	7900	470	470	6960	2472	95

Data Sheet IntelliGate 500



GL	DL	GP	EL	EL effective	Measures admitted:	Measures in meters admitted:
[mm]	[mm]	[mm]	[mm]	[mm]	[kg]	[kg/m]
3550	3000	550	1500	1350	311	88
4050	3500	550	1500	1350	272	67
4550	4000	550	1500	1350	242	53
5050	4500	550	1500	1350	217	43
5550	5000	550	1500	1350	197	36
6050	5500	550	1500	1350	181	30
6550	6000	550	1500	1350	167	25

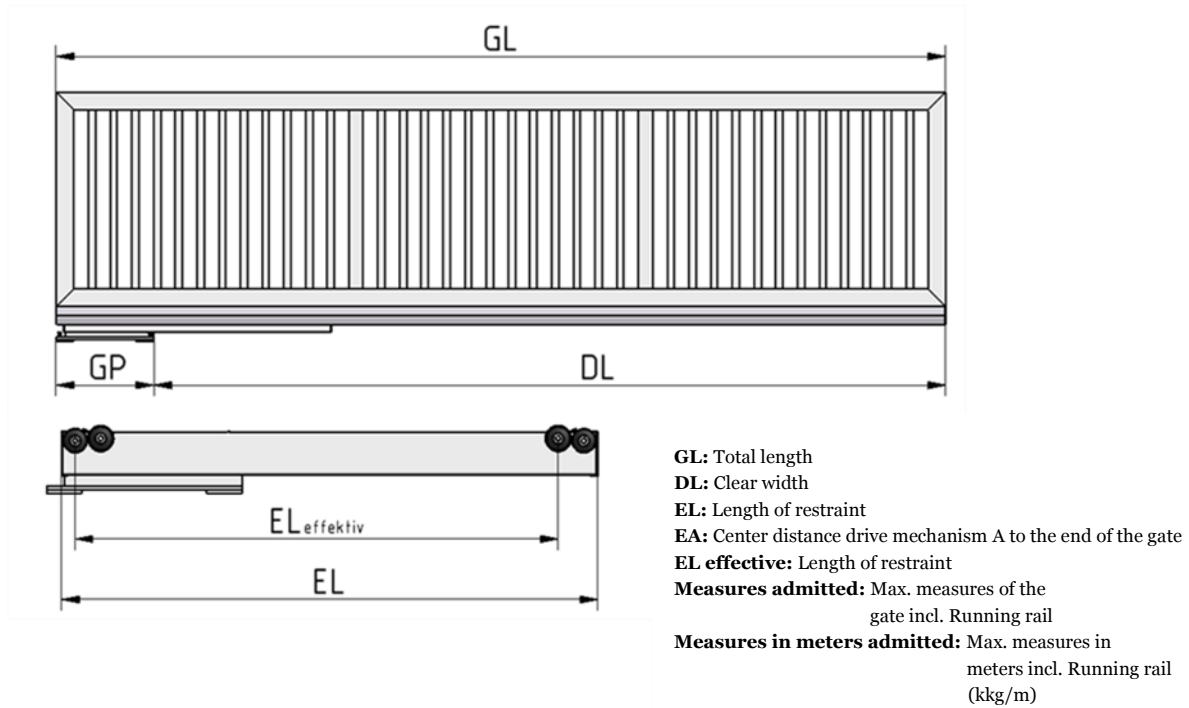
Addvice:

The drive system must be bolted together with the four anchors with a minimum clamping force of 5 kn each.

This clamping force is achieved with the M12 threaded rod stuck in—with a tightening torque of 600 Nm.

Before tighening the anchors the gap between base plate and base ground must be grouted.

Data Sheet IntelliGate 750



GL	DL	GP	EL	EL effective	Measures admitted:	Measures in meters admitted:
[mm]	[mm]	[mm]	[mm]	[mm]	[kg]	[kg/m]
4750	4000	750	2000	1850	317	67
5250	4500	750	2000	1850	286	55
5750	5000	750	2000	1850	261	45
6250	5500	750	2000	1850	240	38
6750	6000	750	2000	1850	222	33
7250	6500	750	2000	1850	206	28
7750	7000	750	2000	1850	193	25

Addvice:

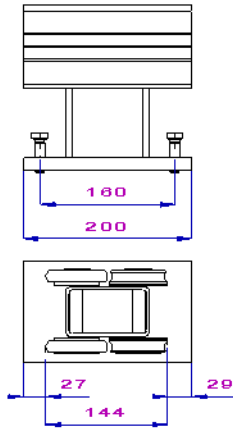
The drive system must be bolted together with the four anchors with a minimum clamping force of 5 kn each.

This clamping force is achieved with the M12 threaded rod stuck in—with a tightening torque of 600 Nm.

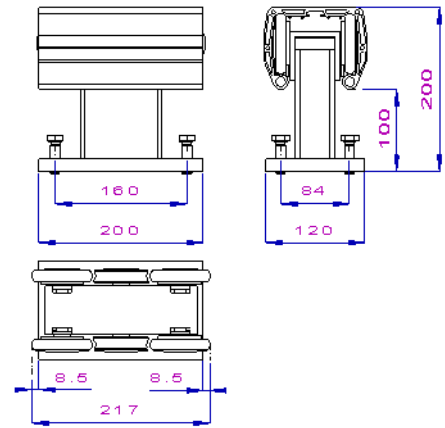
Before tighening the anchors the gap between base plate and base ground must be grouted.

Dimensions of the drive mechanism

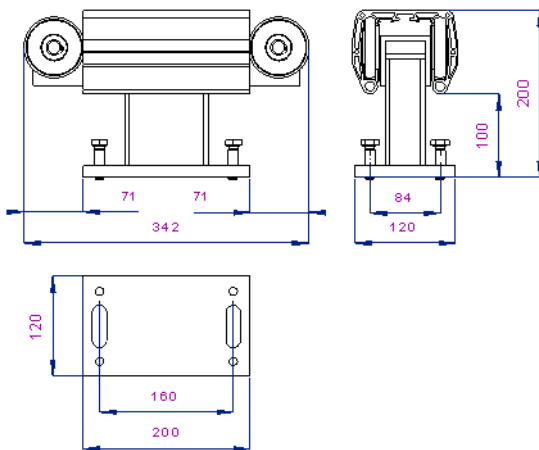
RB4



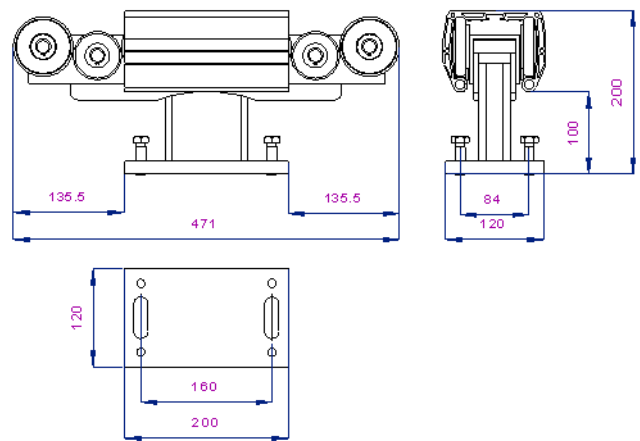
RB6



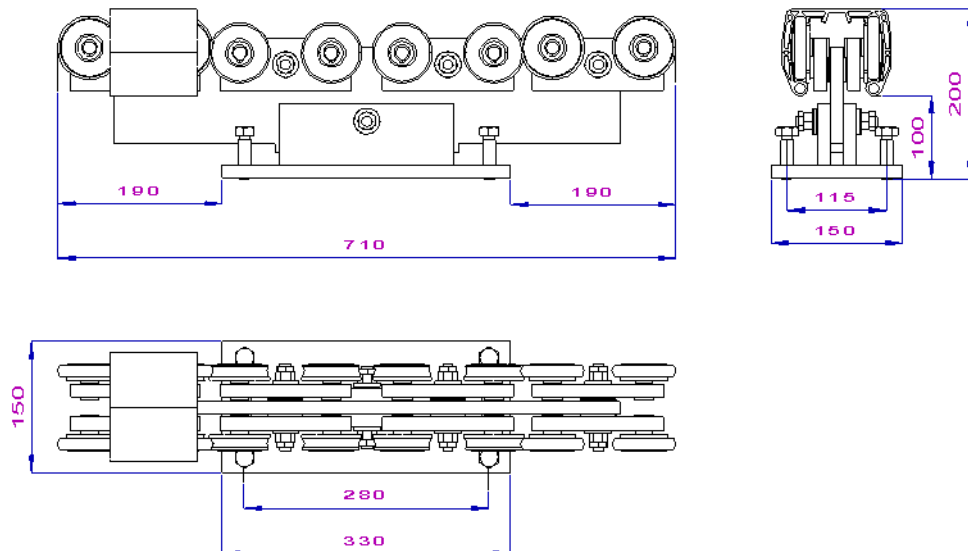
RB8



RB12

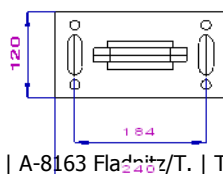
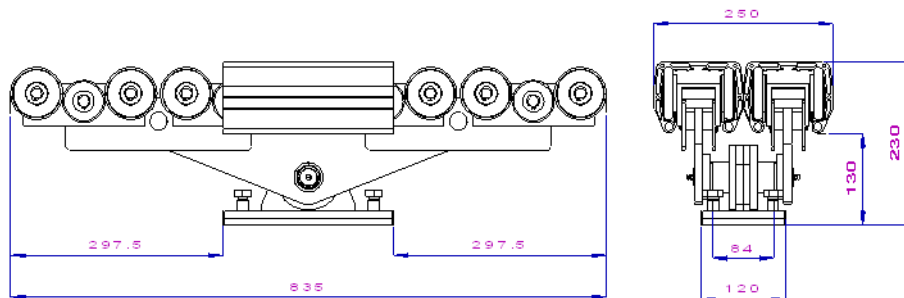
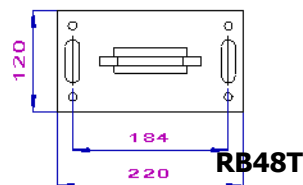
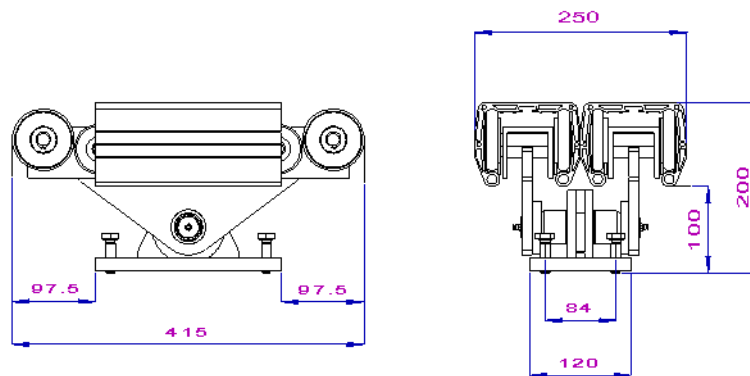
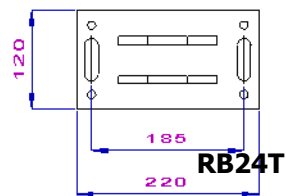
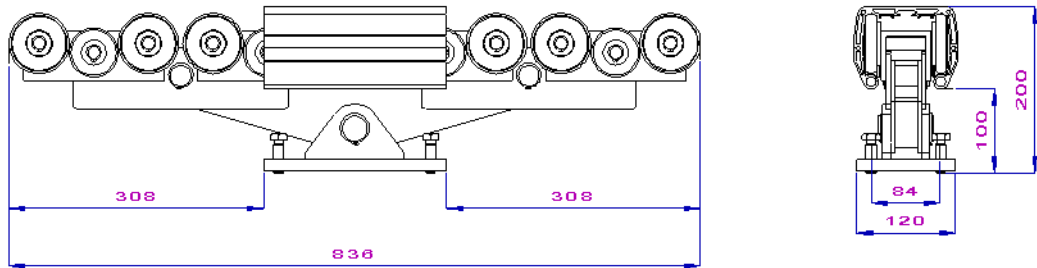


RB16



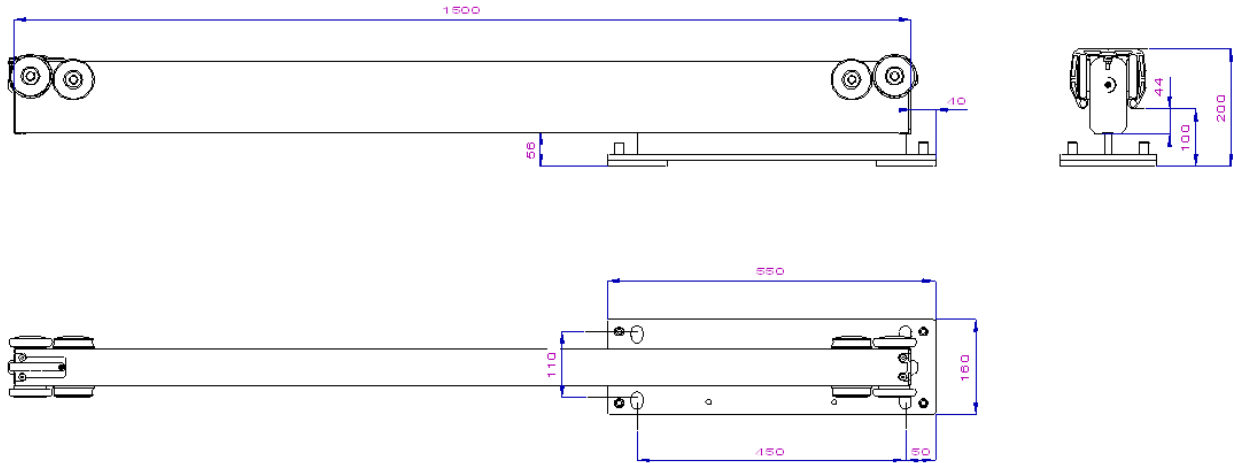
Dimensions of the drive mechanism

RB24

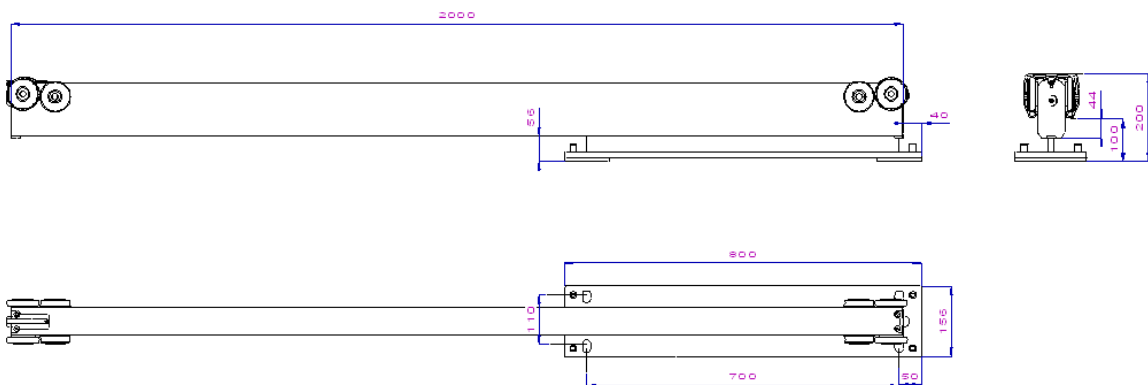


Dimensions of IntelliGate

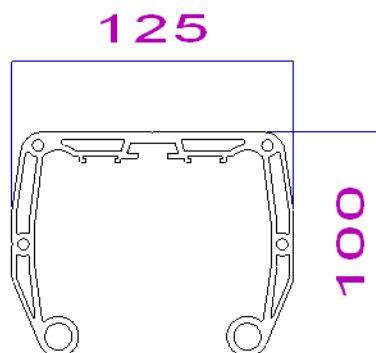
IG500



IG750



Dimensions of Megadoor



Sales and delivery conditions:

General conditions:

All our business transactions are according to following conditions under exclusion of all purchasing and sales conditions as well as delivery conditions as far as not there are not made any special agreements in individual cases in written form.

We reserve the property rights as well as the copyright exploitation rights of all cost estimates, drawings and other documents. The documents are only accessible according to our approval and have to be returned immediately after placing the order. Documents of the customer can be forwarded to third parties, who will supply us materials.

Prices:

The prices are ex factory plus the current value added tax.

Revisions in the construction as well as printer's mistakes are subject to change.

The particular conditions are announced separately and they are valid until a new price list is published or until recalled.

All offers are non-binding until the order acceptance.

We reserve the title to the delivery until we have received the complete payment.

Delivery:

Sale and shipment are carried out without knowing of the intended purpose.

The shipment is carried out by forwarding agents throughout Europe on risk and invoice of the customer ex factory.

Materials and running rails are charged according to the length and weight according to the actual zone rates.

Complaints on products have to be made immediately after receipt and have to be mentioned on the delivery note.

We assume no liability for damages which are assessed later on.

Warranty:

Warranty is only confined to the materials delivered by us and lasts for 24 months. This claim can only be asserted when the assembly is carried out properly according to our plans and assembly instructions and the applicable instructions.

Place of performance:

Place of performance and jurisdiction is Frohnleiten.

Erfüllungsort und Gerichtsstand ist Frohnleiten.